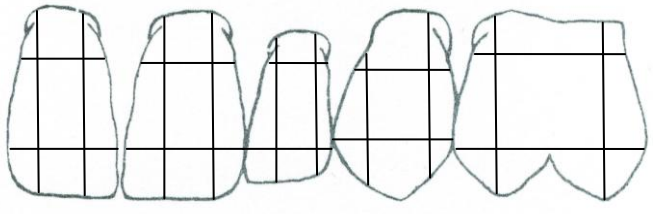
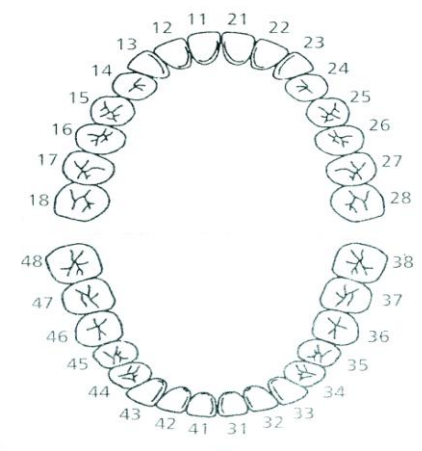




ORDER TO THE LABORATORY

DENTIST	PATIENT
	AGE: <input type="text"/> <input type="text"/> SEX: <input type="checkbox"/> F <input type="checkbox"/> M

PREP DATE	DATE IN	DELIVERY DATE
-----------	---------	---------------

<p>SHADE</p>  <p>SHADE</p> <p>PHOTOS - EMAIL TO FOLLOW <input type="checkbox"/> YES <input type="checkbox"/> NO photo@almadent.pl</p>	 <div style="border: 1px solid black; padding: 5px; margin-top: 10px;"> <p>O - die X - pontic</p> </div>
--	--

Type of restoration	The number of units	INSTRUCTIONS
Zirconia Unit		
Custom Abutment		
PFM Unit		
All-Ceramic Unit		
Cases On Implants - System / Ø		

THE WORK INCLUDES:

CHECKED BY	MODELS	METAL/ZIRCON	CERAMICS	ACRYLIC	OTHER